



The **Pulse EM** is a discrete emergency LED which is designed for ceiling recess applications. The bezel has a diameter of 50mm the cut out required is 40mm to 43mm. LED can provide up to 268lm. The body features a Halo effect bi-colour LED; green for charge healthy and red for fault indication.

**IP54**  
INGRESS

**3W**  
Power Rating

**6800K**  
COOL WHITE

**268 lm**  
OUTPUT

**3 Hr**  
DURATION

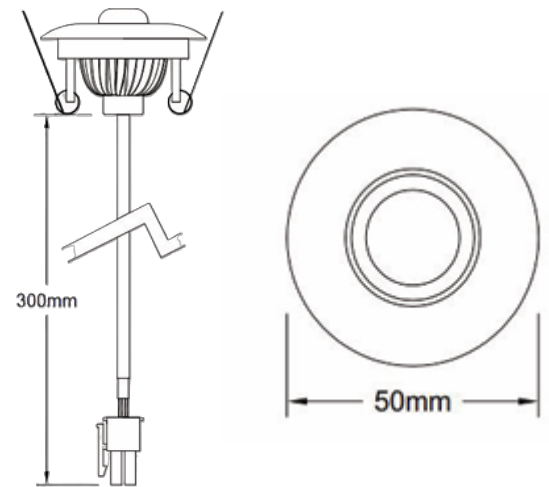
**LiFePO<sub>4</sub>**  
BATTERY

## KEY FEATURES

- Ceiling Recess
- White Polycarbonate Body
- Translucent Polycarbonate Cover
- 1 × Samsung High-Efficiency LEDs
- Extra Long Life LiFePO<sub>4</sub>, Battery Cells
- Battery Temperature Protection

## ORDER CODES

| CODE                    | DESCRIPTION                         |
|-------------------------|-------------------------------------|
| <b>LFTPULSE/OA</b>      | Open Area Optic                     |
| <b>LFTPULSE/CO</b>      | Corridor Optic                      |
| <b>OPTIONS (SUFFIX)</b> | /E = Keyswitch /DE = Dali Emergency |



## TECHNICAL SPECIFICATIONS

| ELECTRICAL                 |                                      |
|----------------------------|--------------------------------------|
| Input Voltage              | 4V DC Max                            |
| Power Rating (Maintained)  | 3W                                   |
| OPTICAL                    |                                      |
| Light Source               | 1 × Samsung LED                      |
| Lumen Output               | 268 Delivered Lumens                 |
| Colour Temperature         | 6800 K                               |
| EMERGENCY                  |                                      |
| Duration                   | 3 Hours                              |
| Recharge Period            | 24 Hours                             |
| Battery Type               | 3.2V 3.8Ah LiFePO <sub>4</sub> Cells |
| MECHANICAL & ENVIRONMENTAL |                                      |
| Ingress Protection         | IP54                                 |
| Dimensions (W × H × D)     | 50mm                                 |
| Weight                     | 0.057Kg                              |